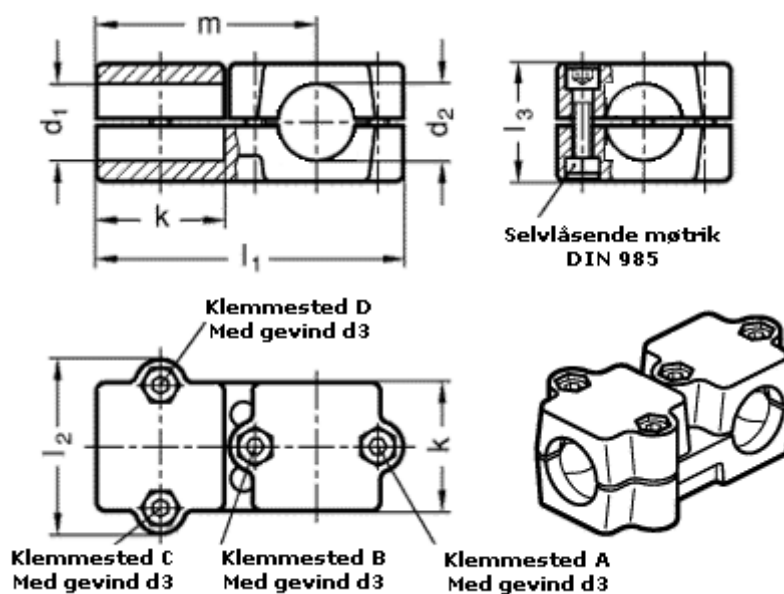


Article number: 20194B25B252SW

Description: E+G

T-angel clamps GN194-B25-B25-2-SW

Measures



d1 = 25

d2 = 25

d3 = M 8

k = 50

l1 = 120

l2 = 68

l3 = 46

m = 85